




HIRSCHMANN

A BELDEN BRAND

Technical Data

Description	gSENS WGX 360/3401-I1/01-0/0-R03-01
	
P/N	608 562
Technology	MEMS acceleration sensor
Measuring range	0° ... 360°, 1 axis
Resolution	0.01°
Accuracy	± 0.1° @ -10°C to +40°C
Interface	4...20 mA current loop ($R_L < 270 \Omega$), 0° = 12mA
Configuration interface	RS232 (max 1152 kbaud)
Connector	M12 (8 pin)
Sensor response time	10 ms (w/o filter)
Supply voltage	10-30 V DC (absolute maximum ratings)
Current consumption	max. 100 mA @ 10 V DC
Power consumption	max 0.7 Watts
Electrical lifetime	> $1.3 \cdot 10^6$ h @ 40°C
EMC	Emitted interference: EN 61000-6-4 Noise immunity: EN 61000-6-2
Shock	100g, 6ms, half sine (EN 60068-2-27)
Vibration	1.5mm (10 to 58Hz), 20g (58 to 2000Hz (EN 60068-2-6)
Operating temperature	- 40 ... + 85 °C
Storage temperature	- 40 ... + 85 °C
Humidity	98 % (non condensing)
Protection Class (EN 60529)	IP69k (connected)
Weight	75g
Housing	Reinforced PBT (Polybutylene Terephthalate) PUR (Polyurethane)

Hirschmann Automation and Control GmbH

www.hirschmann.com

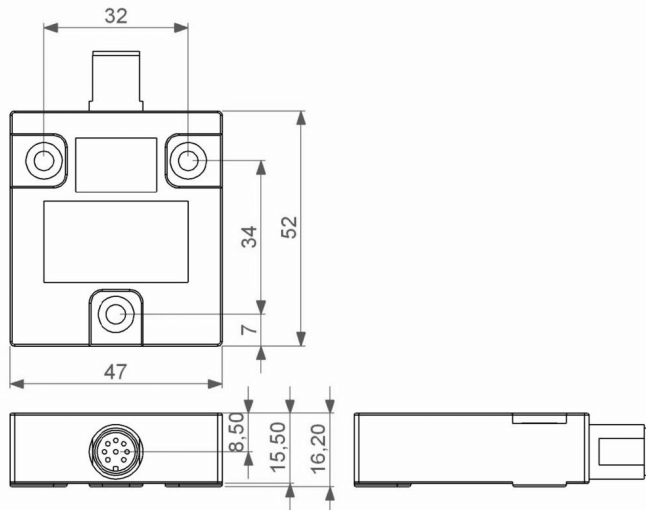
Branch Office Ettlingen

Hertzstraße 32-34 • 76275 Ettlingen

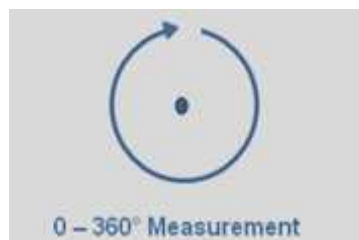
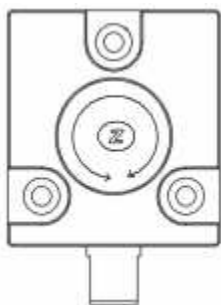
Tel: +49 7243 709-0 • Fax: +49 7243 709-3222



Dimensional drawing:

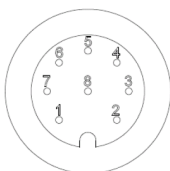


Mounting position:



Single axis (Z) inclination measurement with a range of 0 - 360°, clockwise and counter-clockwise

Pin assignment:



Pin	Signal
1	Supply voltage (+UB)
2	RxD
3	TxD
4	Ground
5	Output analog
6	Not used
7	Not used
8	Not used